

## Fact Sheet

# SpaceClaim Engineer 2014

SpaceClaim Engineer, the leading 3D direct modeling solution for non-CAD experts, is even better with the availability of SpaceClaim Engineer 2014. The most recent release seeks to address top customer requests and expand the capabilities of the software, while maintaining our core strategy to keep SpaceClaim easy to use, interoperable, and fast.

## Why SpaceClaim Engineer?

- Fast
- Easy To Use
- CAD-Neutral
- Increases Productivity
- Lower TCO

### Faster Performance & Increased Productivity

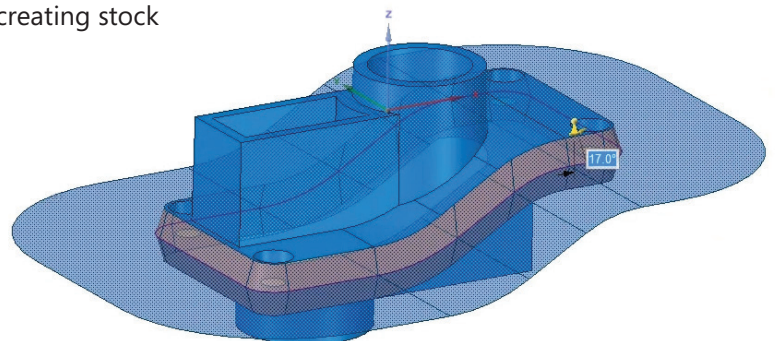
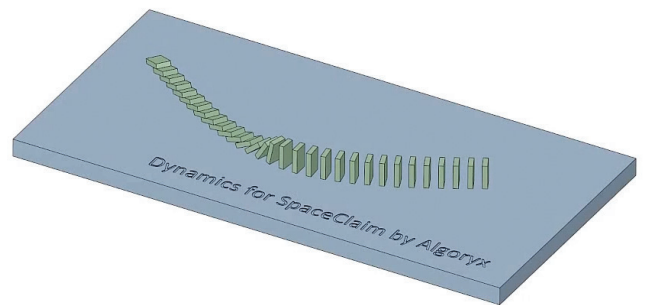
- 30% improvement for model load times, multi-threading support, and others
- Live interference detection
- Improved drafting using parting surfaces and automatic splits
- Web-Viewer to share the graphics of a model with others
- Open files directly from Outlook
- New user interface tools to get the job done faster

### Concept Modeling

- Dynamic interference detection
- Freeform surface fitting to meshes
- Improved model repair capabilities
- Pinned datums and axes that follow changes to geometry
- Improved measure tool
- Excel plug-in for equation-linked driving dimensions

### Manufacturing

- Manufacturing group with tools for positioning and creating stock
- Edge-driven and multi-surface draft
- Unroll tool for flattening developable surfaces
- GibbsCAM plugin
- Orient mesh body
- Improved PMI support



## Sheet Metal

- Clash allowance
- Sheet metal blend
- Creation tools: hems, partial tabs, curved joggles, blends, miters
- Editing manufacturing tools: Smarter face splitting, splits, square up, feature moving
- 50+ additional enhancements

## Simulation

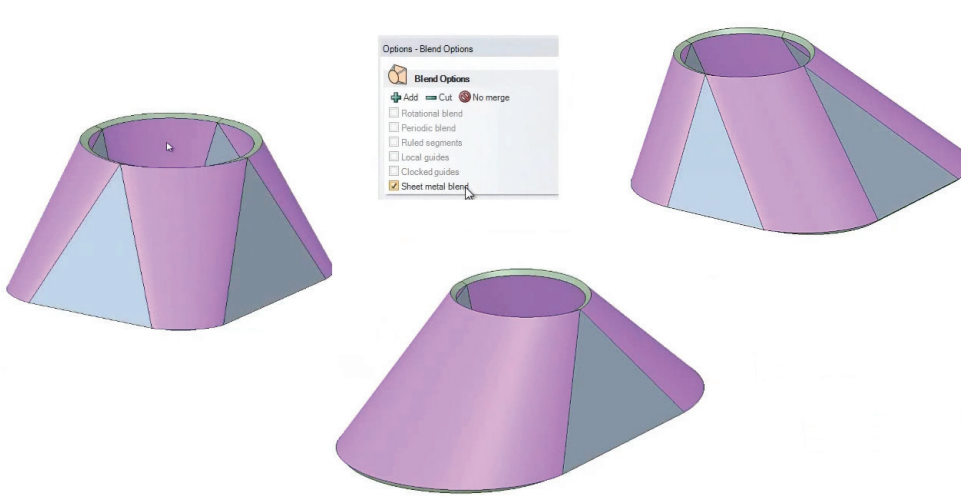
- Surface simplification tool
- Driving dimensions from mass properties
- Support for baffle geometry via new shared topology "merge" option
- Partnership with Algorx to provide high-speed collision-based physics inside SpaceClaim

## Interoperability and File Support

- SolidEdge import/export
- New 3D PDF import/export
- Improved floating data exchange licenses
- AutoCAD import from layout space and 3D export to dwg

## Geometric Dimensioning and Tolerancing (GD&T)

- New semantic GD&T tools
- Locking of drawing sheet views
- General view dimensioning is available
- New fields of Mass, Volume, and other properties of parts are now available



SpaceClaim  
Engineer 2014:  
The fastest tool  
to create, edit, and  
repair 3D data.

Please contact us for more  
information.

[info@spaceclaim.com](mailto:info@spaceclaim.com)

Ph: +1-978-482-2100



150 Baker Ave. Ext.,  
Concord, MA 01742 USA  
Tel: +1 978.482.2100  
Fax: +1 978.369.5864

[www.spaceclaim.com](http://www.spaceclaim.com)